

Snapshot Method of Length & Position Measurement

Problem:

Measure the length and position as well as speed for controlled slow down and stop

Solution:

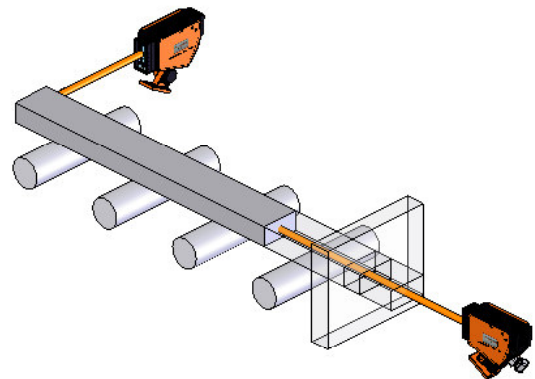
Laser based position and length measurement of billet, bloom, and slab

Equipment:

- OB 3000-F, Optical barrier and LM 3000, Laser Meter (Cold)
- HMD 3000, Hot Metal Detector and LM-3000 Laser Meter (Hot)

Features:

- Non contact
- Safety
- Easy installation and maintenance
- Rugged and reliable
- Accuracy



Locations:

Billet, bloom, and slab continuous casters and roller tables at entry of reheat furnaces